

JS71 系列电控手柄
JS71 Series of Joystick**➤ 产品介绍 Product Description**

JS71是一款注重紧凑设计、耐候性和安全性的单轴手柄。

JS71 is a single-axis joystick which focuses on compact design, weather resistance and safety.

符合人体工程学的设计的上端为手部提供了良好的支撑,并确保从多个角度进行舒适的抓握。

The ergonomically designed handle gives a good support to hand and assures a comfortable grip from several angles.

JS71的安装方式是下装式,螺钉是从安装面板下面紧固。使得操控台外观整洁。

Screws are installed from underneath for a clean appearance of dashboard.

标准版的法兰以上部分防护等级为 IP65, 中位机械锁止版本的防护等级为 IP44。

The JS71 has an IP65 rating above the flange and IP44 for manual neutral detent version.

JS71基本配置是: 弹簧复中位、双传感器。

The Basic version of JS71 is spring-return-to-center and dual-sensor.

JS71 提供以下可选项:

手动提拉机构的机械中位锁止功能;

端位电磁铁锁定功能,有 Y-端位和 Y+,Y-两端位可选;

顶部按钮开关,常用作使能开关。

JS71 provides below options:

Mechanical Neutral Detent with a pull-lift mechanism.

Solenoid Detent options at full stroke in either the Y- direction or both Y+ and Y- directions.

The handle-top-switch which is usually used as the operator presence switch.

**➤ 产品特点 Product Features**

- 结构紧凑、重量轻;

Compact and lightweight design

- 双传感器, 安全性高;

Dual sensor, high safety

- 中位机械锁止功能可选

Mechanical Neutral Detent optional

- 端位电磁铁锁定可选

Solenoid detent options at full stroke in either the Y- direction or both Y+ and Y- directions.

- 顶部按钮开关可选

Handle top switch optional

➤ 主要技术参数 Technical Specifications

机械性能 Mechanical specifications

旋转角度	Mechanical operating angle	Y axis: $\pm 20^\circ$
操作力	Operating force	10N
使用寿命	Life expectancy	标准版, 500 万次; 电磁锁止版, 200 万次
		5 million cycles for standard version
		2 million cycles for detented version
重量	Weight	220g

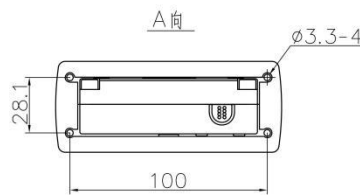
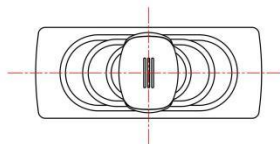
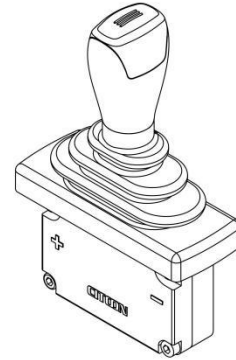
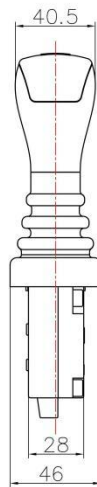
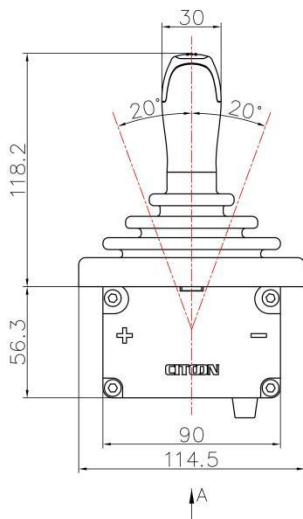
电气性能 Electrical specifications

传感类型	Sensor type	Hall-effect 霍尔
供电电压	Applied voltage	$5 \pm 10\%$ Vdc
输出信号	Effective output	Typical 0.5-4.5V ratiometric for sensor 1, 4.5-0.5V ratiometric for sensor 2
解析率	Resolution	12 bit
精度	Accuracy	Max 2.0% FS
顶部按钮开关	Handle top switch	push button, SPST, 12V or 24V@0.2A
电磁铁	Solenoids	24V power supply, 1W

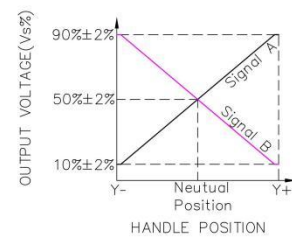
环境测试 Environmental specifications

工作温度	Operating temp. range	$-40^\circ\text{C} \sim 85^\circ\text{C}$
储存温度	Storage temp. range	$-40^\circ\text{C} \sim 85^\circ\text{C}$
EMC	EMC	100V/m
ESD	ESD	$\pm 8\text{kV}$ (contact discharge) $\pm 15\text{kV}$ (air discharge)
防护等级	Ingress Protection (IP) rating	Sealing above the flange IP65 Sealing with Neutral Detent option IP44

➤ 外形&安装尺寸 Mechanical Dimensions(mm)



Typical Output Diagram



➤ 编号规则 Product Code Reference

JS71	N	D2- solenoid detent at Y+ and Y-	F	S	G106
底座系列	中位机械锁止	端位电磁铁锁定	二次加力	顶部按钮开关	上端系列
Base Family Name	Neutral Mechanical Detent	Solenoid Detent	Secondary Force	Handle Top Switch	Grip Type
JS71	D- yes N- no	D1- solenoid detent at Y- D2- solenoid detent at Y+ and Y- N- no	Black- Standard secondary force at 75% stroke N- no secondary force	S- yes N- no	G106 G107 G108

➤ 应用Applications

JS71重量轻, 安装尺寸小。可以安装在移动车辆的扶手箱、操控台。或者无线遥控器上。

The lightweight design with small installation dimensions makes JS71 can be mounted in the armrest or on the dashboard in mobile vehicles. Or, on the remote control units.

